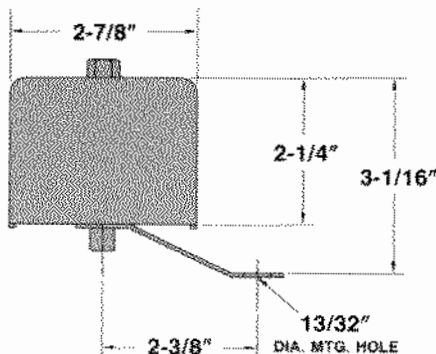


# MODEL EV ELECTRO- MAGNETIC VIBRATORS

Model EV-20



SPECIFICATIONS	STANDARD	WITH RECTIFIED CONTROL *
Vibrations per min.	7200	3600
Input Watts	15	20
Input Amps	.3	.3
Vibrator Net Wt.	2½ lbs.	2½ lbs.
Controller Net Wt.		1¼ lbs.
Outfit Ship. Wt.	4 lbs.	5 lbs.

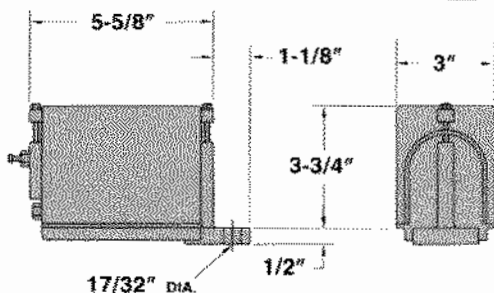
115 VOLT, 60 CYCLE  
\*SPECIFY WITH CEV-20 CONTROL

### SIZING GUIDE

HOPPER WALL THICKNESS	APPROX. HOPPER CAPACITY
24-26 ga.	1 cu. ft.

BEST'S Electromagnetic Vibrators are offered in four different models. They are all continuous duty rated with the largest model designed to handle up to a 10 cubic foot bin maximum. These dust tight units are ideal for small bins, hoppers and chutes. The two smallest models are designed to operate at 7200 VPM with the option of adding an AC rectified controller for 3600 VPM. The two largest models EV-90 and EV-200 are designed to operate at 3600 VPM. They are also available with an optional AC rectified variable controller. The sizing guide shown will help you in your selection. For special 240 volt or 50 cycle requirements, consult factory.

Model EV-40



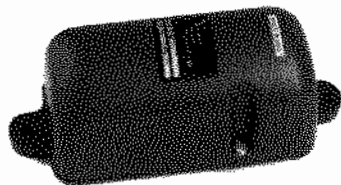
SPECIFICATIONS	STANDARD	WITH RECTIFIED CONTROL *
Vibrations per min.	7200	3600
Input Watts	20	20
Input Amps	.8	.8
Vibrator Net Wt.	4½ lbs.	4½ lbs.
Controller Net Wt.		1¼ lbs.
Outfit Ship. Wt.	5 lbs.	7 lbs.

115 VOLT, 60 CYCLE  
\*SPECIFY WITH CEV-40 CONTROL

### SIZING GUIDE

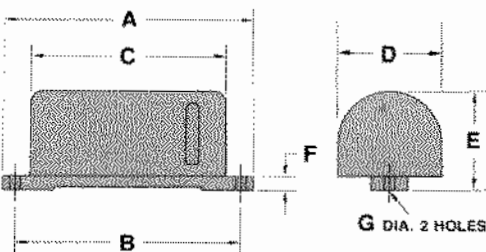
HOPPER WALL THICKNESS	APPROX. HOPPER CAPACITY
22-24 ga.	2 cu. ft.

Model EV-90  
Model EV-200



MODEL NO.	A	B	C	D	E	F	G
EV-90	10¼	9¼	8	4¼	4¼	¾	7/16
EV-200	10¼	9¼	8	5½	4¾	¾	7/16

ALL DIMENSIONS IN INCHES. 115 VOLT, 60 CYCLE.



MODEL NO.	VPM	INPUT WATTS	INPUT AMPS	VIBRATOR NET WT. (LBS.)	CONTROLLER NET WT. (LBS.)	SHIP. WT. (LBS.)	SIZING GUIDE	
							HOPPER WALL THICKNESS	APPROX. HOPPER CAPACITY
EV-90	3600	35	1.25	9	1.25	13	16-20 ga.	3 cu. ft.
EV-200	3600	40	2	14	1.25	16	½" - ¾"	10 cu. ft.

ALL DIMENSIONS IN INCHES. 115 VOLT, 60 CYCLE.  
FOR VARIABLE CONTROL SPECIFY WITH CEV-90 OR CEV-200